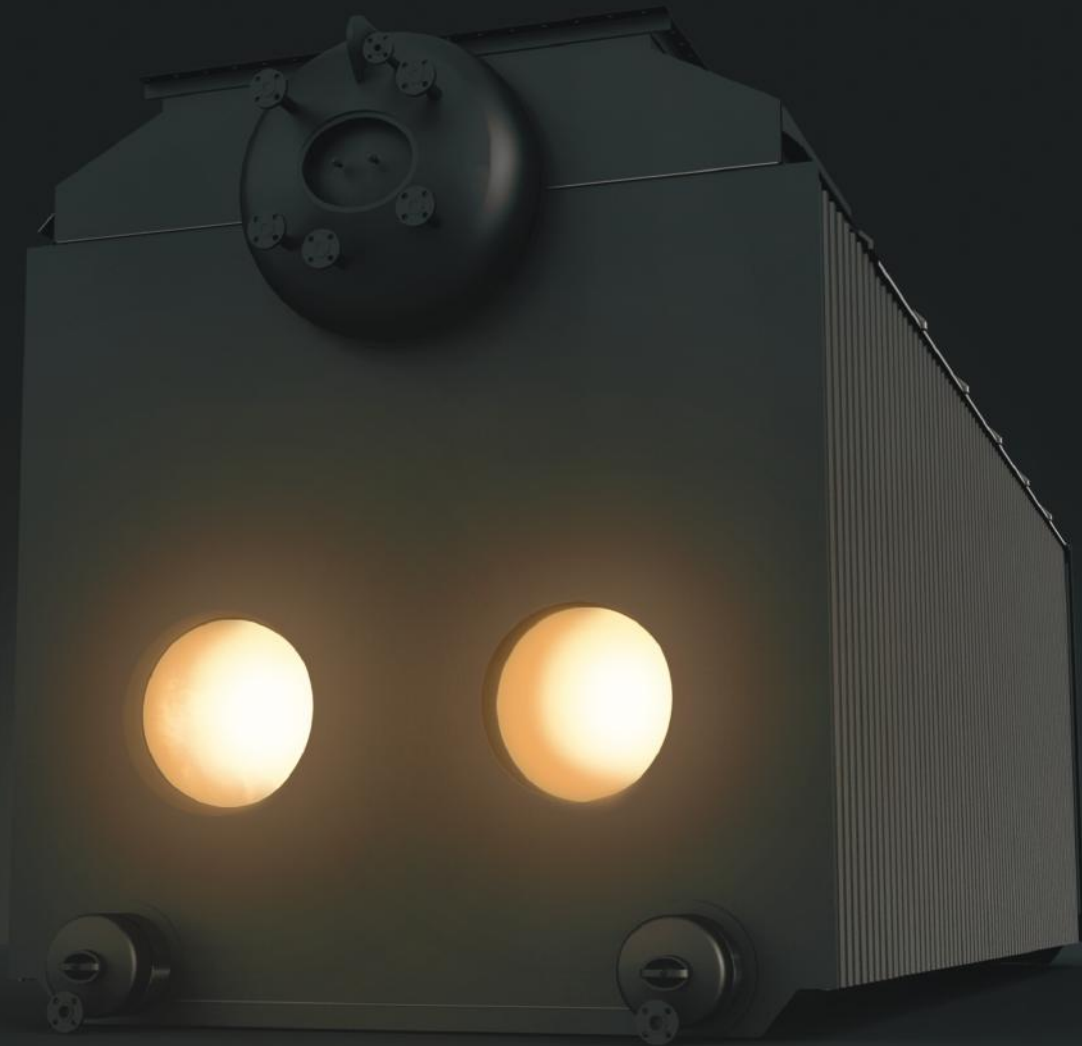


NONNAD

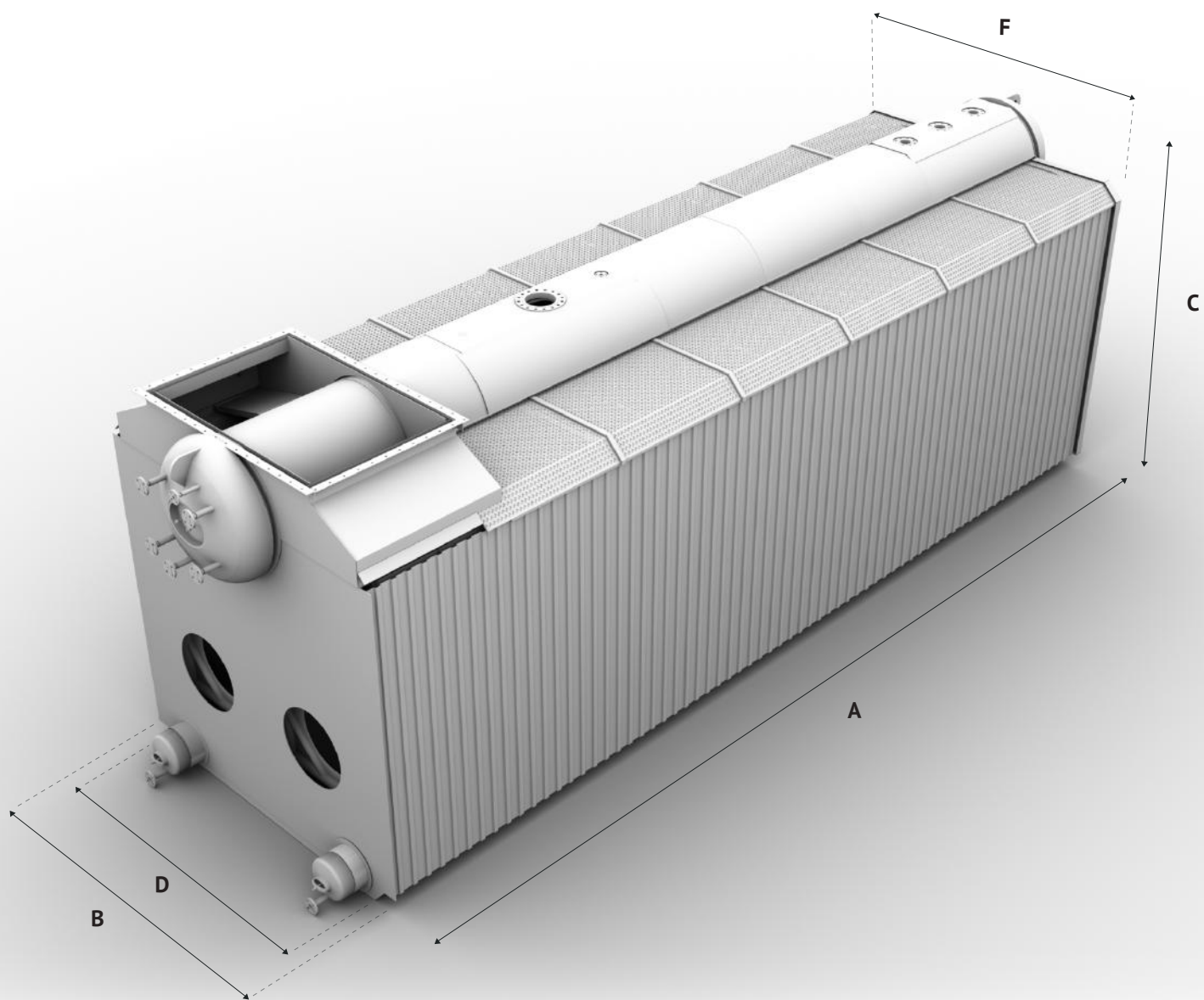
NEW A-TYPE CONFIGURATION LOW PROFILE BOILER
60,000 TO 100,000 PPH / UP TO 390 PSIG



© Groupe Simoneau Inc. 2016. All rights reserved.

REQUEST INFORMATION
T : 1 800 748 3783 / 450-641-9140
WWW.GROUPESIMONEAU.COM

PHYSICAL DATA SHEET



Boiler Model Number	Capacity PPH	A Base Length	B Width	C Height	D Base Width	E	E	F	WEIGHTS (in Pounds)	
						with economizer	without economizer			
						Gas Outlet			Dry	Flooded
						Length	Length	Width		
THA-60	60,000	25'-11"	10'-4"	14'	8'-11"	8'	5'	3'-9"	75,000	107,500
THA-80	80,000	29'-1"	10'-4"	14'	8'-11"	8'	6'	3'-9"	83,000	119,500
THA-100	100,000	32'-8"	10'-10"	14'	9'-5"	8'	7'	4'-6"	93,000	134,500

ENERGY IN MOTION WITH A NEW GENERATION OF LOW PROFILE BOILERS

Introducing NOMAD. A new A-Type low profile boiler specially designed for saving on transportation troubles and costs. This innovative arrangement of the tubes allows for height reduction in order to maintain it within the acceptable level for road or railway transportation.



ADVANTAGES

- Complete water cooled furnace with tangeant tubes which staggered efficient convection zones in the second pass
- Minimal thermal NOx emissions
- Steam quality down to 1ppm
- Flexible tube thermal shock resistant
- Little refractory when firing natural gas and limited to the burner throat
- Gas outlet at the front
- Corner downcomers act as ridged boiler frame
- Quicker start-up and ramping from low to high fire than conventional "D" and "A" type
- Lower height comparing to conventional A-Type reducing freight cost

COMBUSTION / CONTROL

**LARGE SELECTION OF ADAPTABLE
COMBUSTION SYSTEMS**

**MEETS OR EXCEEDS NOx
EMISSION STANDARDS**

**FUEL CHOICE
FLEXIBILITY**

**FULL RANGE /
CHOICE OF CONTROLS**

NOMAD LOW PROFILE BOILER AVAILABLE

Stay in the loop. Get product updates by visiting www.groupe-simoneau.com



SIMONEAU

POWER TO GROW

REQUEST INFORMATION

T : 1 800 748 3783 / 450-641-9140

WWW.GROUPESIMONEAU.COM