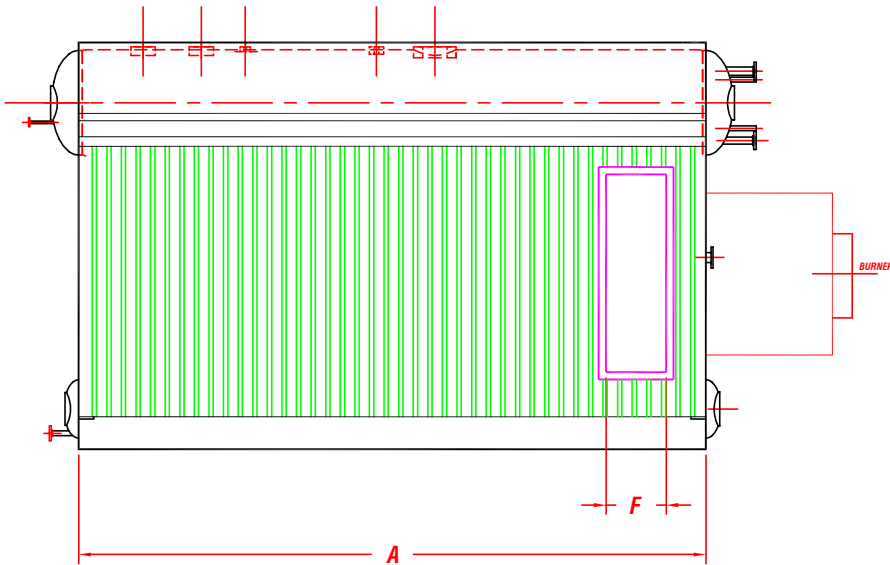
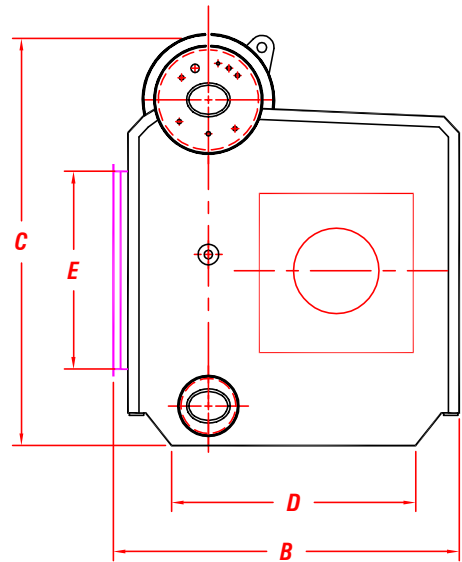


# Physical data

## " D " TYPE --- STEAM WATERTUBE BOILER



SIDE ELEVATION



FRONT VIEW

ALL DIMENSIONS ARE IMPERIAL

DESIGNED BY THERMDESIGN INC.

BOILER MODEL NUMBER	CAPACITY # / HR	- A - LENGTH	- B - WIDTH	- C - HEIGHT	- D - BASE WIDTH	- E -		WEIGHTS (In Pounds)	
						GAS OUTLET		DRY	FLOODED
						WIDTH	LENGTH		
FX-10	10,000	10'-7"	10'-11"	12'-2"	8'-0"	1'-0"	5'-6"	39,000	50,000
FX-12.5	12,500	11'-6"	10'-11"	12'-2"	8'-0"	1'-0"	5'-6"	42,000	55,000
FX-15	15,000	12'-3"	10'-11"	12'-2"	8'-0"	1'-0"	5'-6"	45,000	58,000
FX-17.5	17,500	13'-4"	10'-11"	12'-2"	8'-0"	1'-4"	5'-6"	48,000	63,000
FX-20	20,000	13'-11"	10'-11"	12'-2"	8'-0"	1'-4"	5'-6"	51,000	66,000
FX-25	25,000	15'-11"	10'-11"	12'-2"	8'-0"	1'-4"	5'-6"	58,000	75,000
FX-30	30,000	16'-8"	11'-2"	13'-2"	8'-3"	2'-0"	6'-10"	60,000	78,000
FX-35	35,000	18'-8"	11'-2"	13'-2"	8'-3"	2'-0"	6'-10"	67,000	87,000
FX-40	40,000	20'-4"	11'-2"	13'-2"	8'-3"	2'-4"	6'-10"	73,000	95,000
FX-45	45,000	21'-8"	11'-2"	13'-2"	8'-3"	2'-4"	6'-10"	76,000	100,000
FX-50	50,000	20'-0"	12'-1"	14'-3"	8'-8"	2'-8"	7'-1"	79,000	110,000
FX-55	55,000	21'-0"	12'-1"	14'-3"	8'-8"	2'-8"	7'-1"	83,000	114,000
FX-60	60,000	22'-0"	12'-1"	14'-3"	8'-8"	2'-8"	7'-1"	87,000	120,000
FX-65	65,000	22'-8"	12'-1"	14'-3"	8'-8"	3'-0"	7'-1"	90,000	123,500
FX-70	70,000	23'-4"	12'-1"	14'-3"	8'-8"	3'-0"	7'-1"	92,500	127,000
FX-75	75,000	24'-0"	12'-1"	14'-3"	8'-8"	3'-0"	7'-1"	95,000	131,000
FX-80	80,000	24'-4"	12'-4"	14'-11"	8'-10"	3'-6"	8'-0"	110,000	152,000
FX-90	90,000	26'-1"	12'-4"	14'-11"	8'-10"	4'-0"	8'-0"	117,000	163,000
FX-100	100,000	28'-0"	12'-4"	14'-11"	8'-10"	4'-6"	8'-0"	126,000	175,000
FX-125	125,000	33'-9"	12'-11"	15'-9"	9'-4"	5'-6"	10'-4"	133,000	200,000
FX-150	150,000	39'-6"	12'-11"	15'-9"	9'-4"	6'-0"	10'-4"	148,000	215,000
FX-175	175,000	42'-10"	12'-11"	15'-9"	9'-4"	6'-6"	10'-4"	159,000	230,000
FX-200	200,000	45'-6"	12'-11"	15'-9"	9'-4"	7'-0"	10'-4"	165,000	242,000

MANUFACTURED &  
DISTRIBUTED BY :



1541 de Coulomb, Boucherville, Qc, Canada J4B 8C5

TEL: 450-641-9140 FAX: 450-641-9141 WEB SITE: [www.boilerclub.com](http://www.boilerclub.com)

DOC. NO: IAD\_D

09-97 REV.A

# " D " TYPE WATERTUBE BOILER

